



**WACKER  
NEUSON**

5200000663	105
09.2015	

**Vibratory Rammers**  
**振动冲击夯**

**BS60-2**

**Parts Book**  
**零件手册**

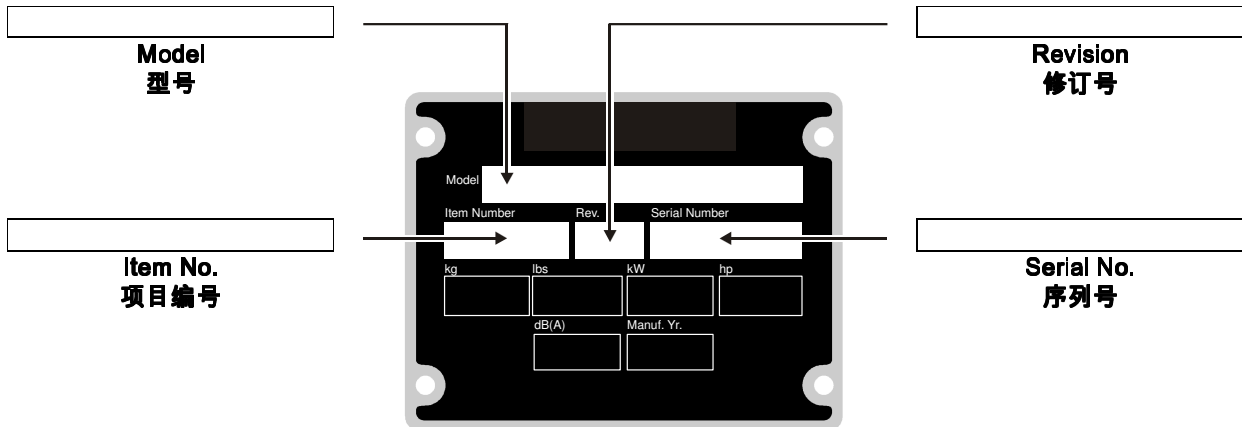
[www.wackerneuson.com](http://www.wackerneuson.com)



A nameplate listing the Model Number, Item Number, Revision, and Serial Number is attached to each unit. Please record the information found on this plate so it will be available should the nameplate become lost or damaged. When ordering parts or requesting service information, you will always be asked to specify the model, item number, revision number, and serial number of the unit.

载有型号、项目编号、修订和序列号的铭牌附于各装置上。请记录铭牌上的信息，以便在铭牌丢失或损坏时进行查阅。在订购零件或获取维修信息时，您必须提供装置的型号、项目编号、修订号和序列号。

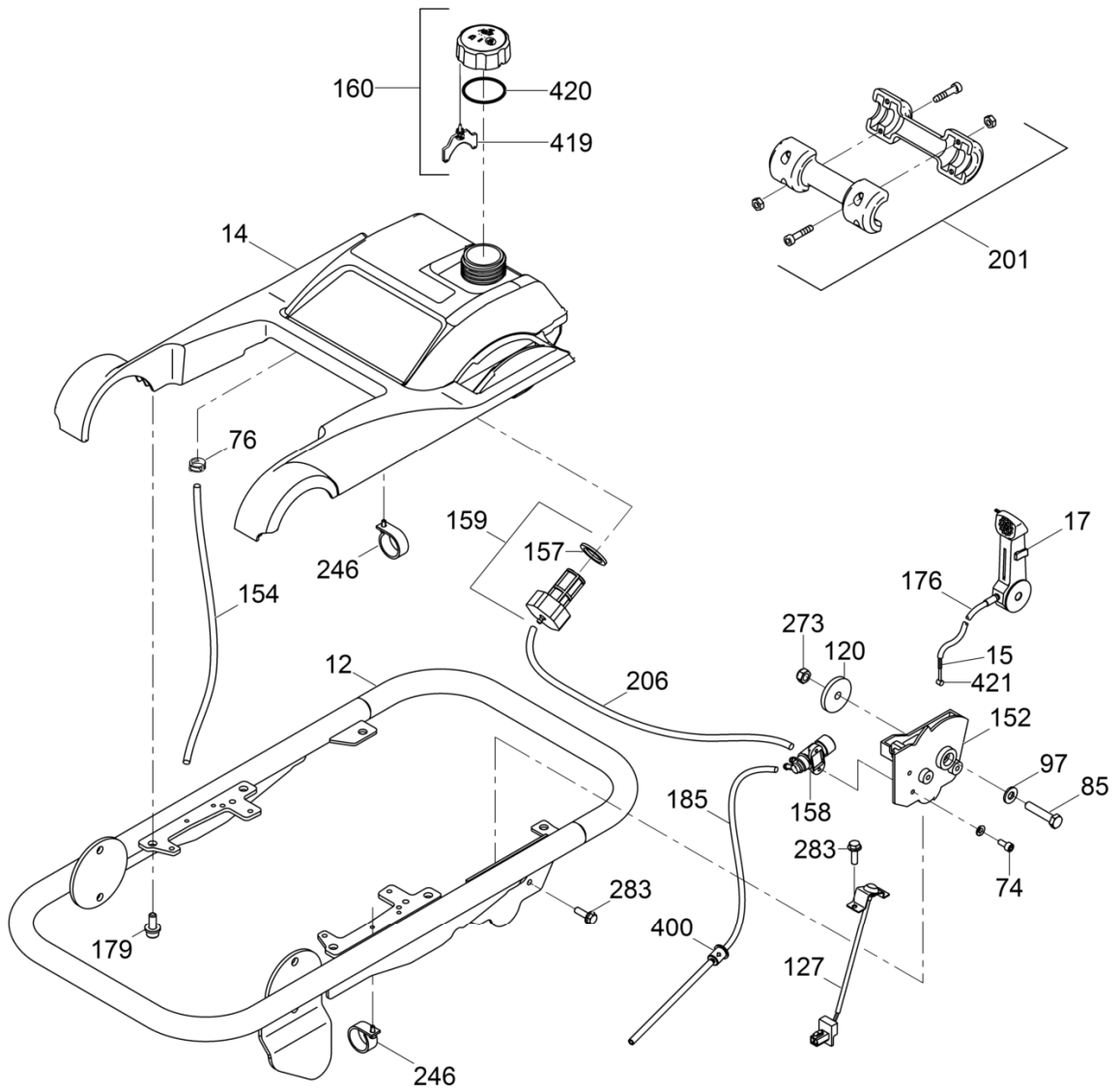
My machine's numbers are  
我的机器编号是



Part Numbers appearing in boldface type are recommended spare parts. This means that these parts are subject to wear under normal operating conditions and may require periodic service or replacement. It is recommended that these items be stocked to meet the expected service requirements of this model. Actual stocking quantities of these and other parts used in more extensive repairs will depend on the service practices of each customer.

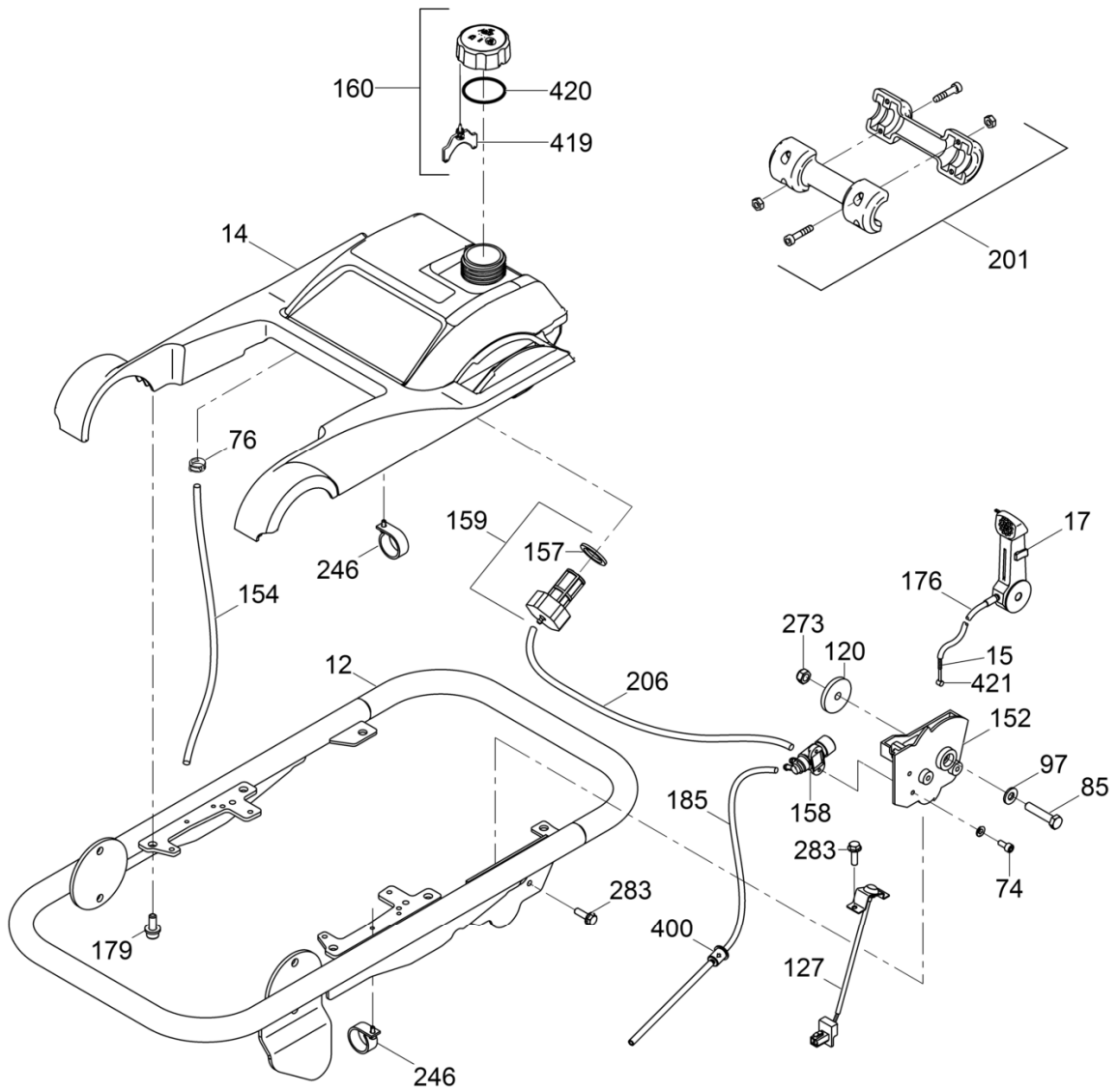
以黑体显示的零件编号是推荐零件。这意味着这些零件在一般工作条件下会发生磨损，可能需要定期维修或更换。我们建议库存这些零件以满足此型号的预期维修要求。这些零件和在更广泛的维修中使用的其它零件的实际库存数量视客户的维修惯例而定。

Guide Handle cpl. 导向手柄套装	6
Air Cleaner cpl. 空气滤清器套装	10
Crankcase cpl. 曲轴箱套装	12
Guide Cylinder cpl. 导向筒套装	14
Ramming Shoe cpl. 冲击底板套件	16
Engine cpl. 发动机套装	18
Engine-WM 80 发动机-WM 80	22
Carburetor cpl. 化油器套装	28
Labels 标签	32
Accessories 附件	35
Wheel Kit 轮子组件	36
Ramming Shoe Kit 冲击底板套件	38
Ramming Shoe Kit 冲击底板套件	40
Ramming Shoe Extension Kit 冲击底板延伸套件	42



200\_520000663100001

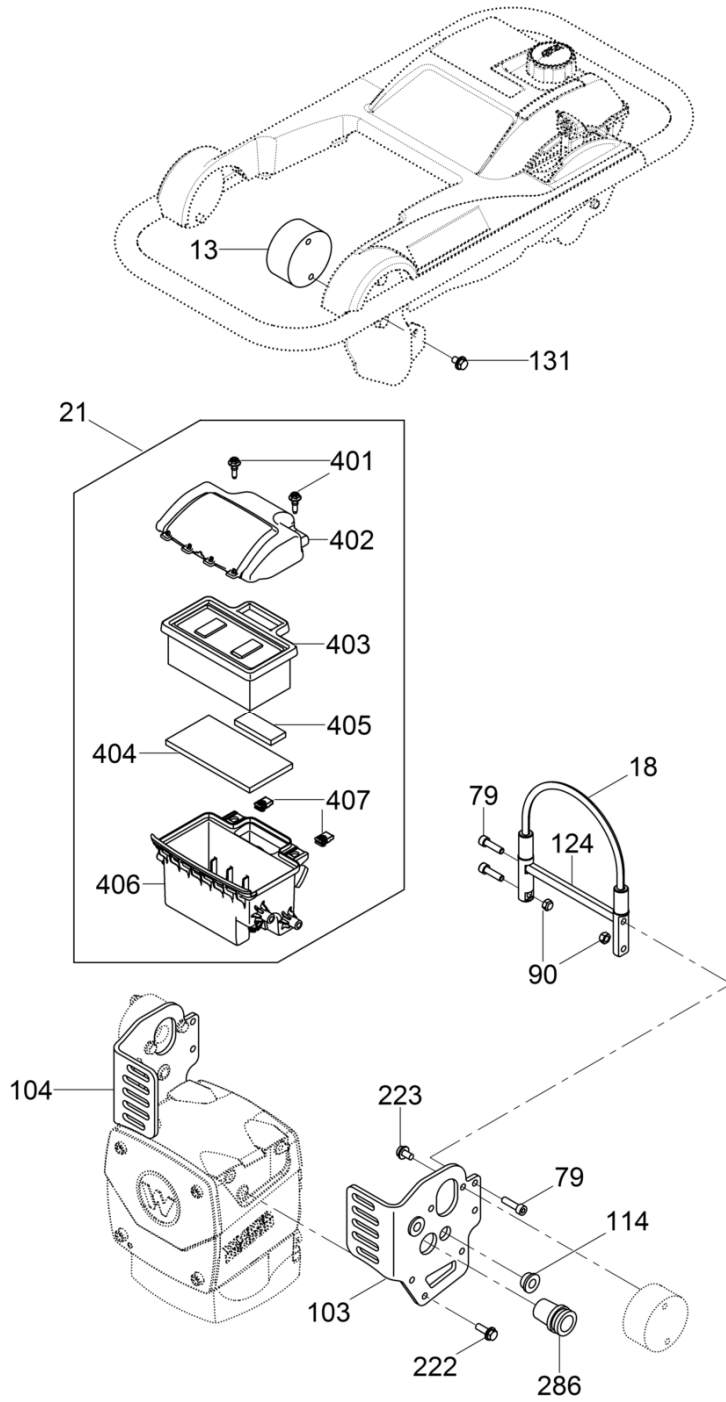
Ref. 参考号	Part No. 零件编号	Qty. 数量	Description 说明		Measuram. 测量	Norm 标准
						Sealant 密封材料
12	0192879	1	Guide handle	导向手柄		
14	0192637	1	Fuel tank	燃料箱		
15	0181209	1	Inner cable	内线缆		
17	0192866	1	Throttle control lever	节流控制杆		
74	0011572	1	Cheese head screw	内六角螺丝	M4 x 10 5Nm/4ft.lbs	ISO4762
76	0171698	1	Clamp	夹紧装置	3/8in	
85	0011539	1	Cheese head screw	凸圆头螺丝	M8 x 40 25Nm/18ft.lbs	ISO4762
97	0010622	1	Fiat washer	平垫圈	8	ISO7090
120	0105194	1	Washer	垫圈	M8 x 1,5in	
127	5100014072	1	Stop switch	停止开关		
152	0192865	1	Throttle control bracket	节流控制支架		
154	5200023643	1	Fuel hose	燃料软管	520,7	
157	0086312	2	Ring seal	环形密封		
158	0193175	1	Fuel valve	燃料阀		
159	0155079	1	Fuel Filter Kit	燃料过滤器套件		
160	5200010501	1	Fuel cap	燃油盖		
176	0181210	1	Outer cable casing	外线缆槽		
179	0160861	6	Screw	螺丝	M6 x 16	
185	5200023637	1	Fuel hose w/filter			
201	0086572	1	Roller Kit	滚轴组件		
206	5200023646	1	Fuel hose	燃料软管	101,6	
246	0155562	2	Clip	夹		
273	0172305	1	Lock nut	止动螺母	M8	
283	0155845	3	Hexagonal head cap screw	六角螺钉	M5 x 12	
400	5200004845	1	Fuel filter	燃料过滤器		



200\_520000663100001

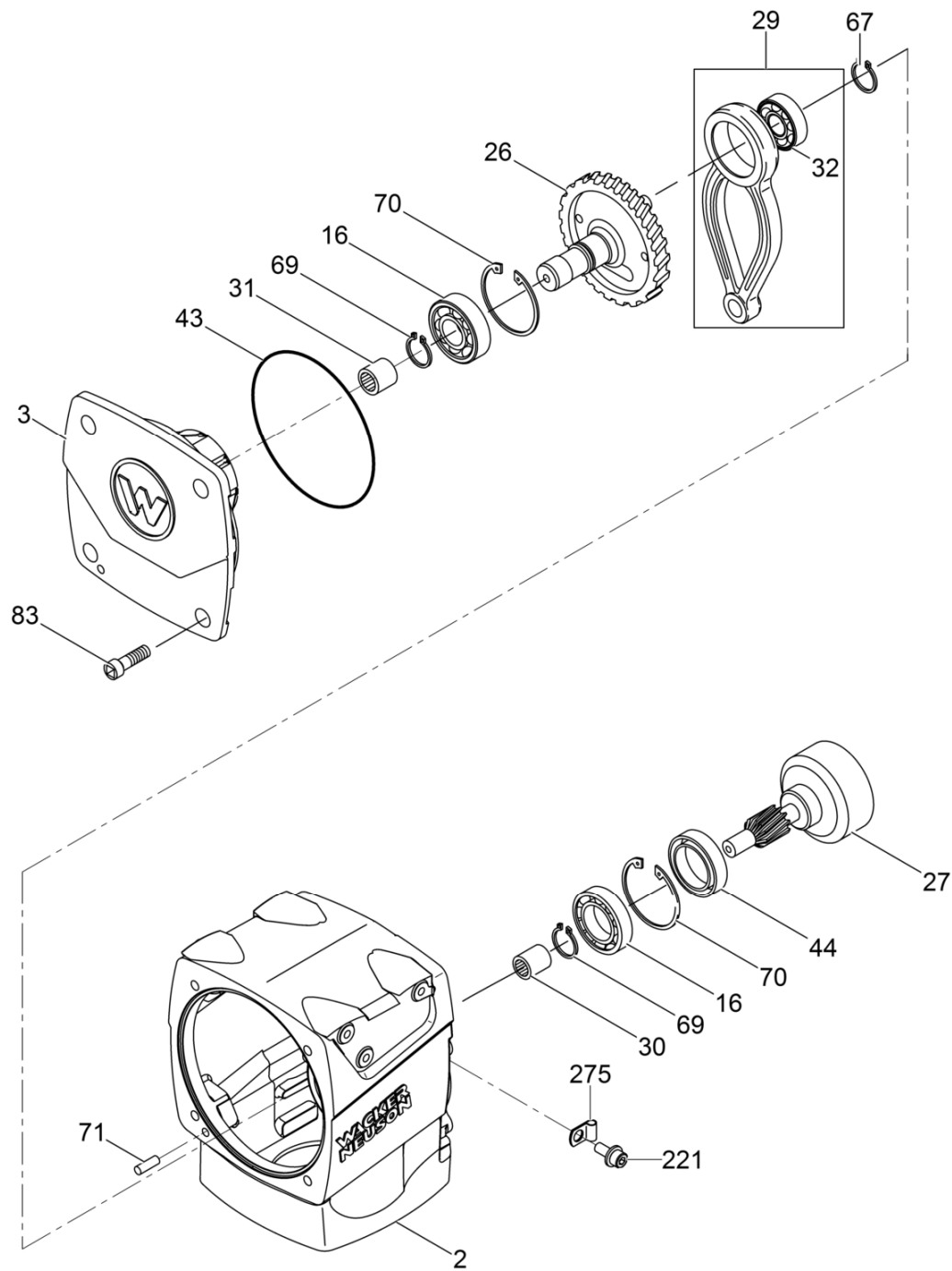


Ref. 参考号	Part No. 零件编号	Qty. 数量	Description 说明		Measuram. 测量	Norm 标准
					Norm 标准	Sealant 密封材料
419	0173019	1	Lanyard	线缆		
420	0173020	1	Gasket	衬垫		
421	2003655	1	End lug	末端钩环		



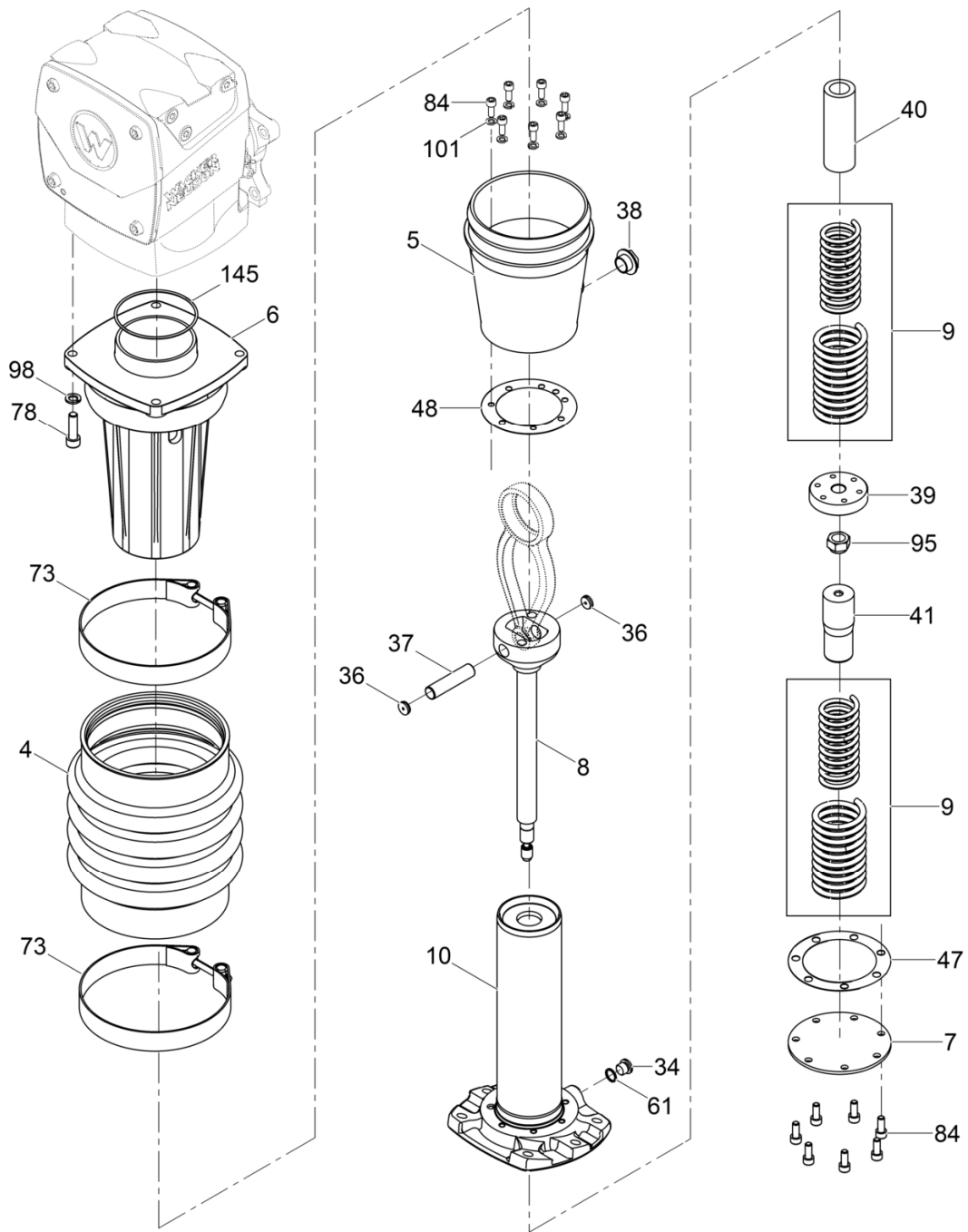
200\_5200000663100002

Ref. 参考号	Part No. 零件编号	Qty. 数量	Description 说明		Measuram. 测量	Norm 标准
						Sealant 密封材料
13	0156979	2	Shockmount	防震垫		
18	0192868	1	Cable	线缆		
21	5200002803	1	Air filter	空气滤清器		
79	0011541	4	Cheese head screw	内六角螺丝	M8 x 30 41Nm/30ft.lbs	ISO4762
90	0010367	2	Hexagon nut	六角螺母	M8	DIN985
103	5100015853	1	Right shockmount bracket	右减震器支架		
104	5100015850	1	Left shockmount bracket	左减震器支架		
114	0156981	2	Grommet	护孔环		
124	0156394	1	Brace	撑臂		
131	0161246	4	Hexagonal head cap screw	六角螺钉	M8 x 14	
131	0010622	4	Flat washer	平垫圈	8	ISO7090
222	0011457	6	Hexagonal head cap screw	六角螺钉	M8 x 25 31Nm/23ft.lbs	DIN933
222	0033198	6	Lockwasher	止动垫圈	8	DIN6796
223	0012361	4	Hexagonal head cap screw	六角螺钉	M8 x 16 27.12Nm/20ft.lbs	DIN933
222	0033198	6	Lockwasher	止动垫圈	8	DIN6796
286	5200006241	1	Grommet	护孔环		
401	0164398	2	Screw-filter, air box	螺钉-过滤器, 气箱		
402	5200007043	1	Air box filter cover	气箱过滤器护盖		
<b>403</b>	<b>5200003062</b>	<b>1</b>	<b>Air filter element</b>	<b>空气滤清器滤芯</b>		
<b>404</b>	<b>5200007044</b>	<b>1</b>	<b>Prefilter element</b>	<b>预滤器元件</b>		
405	5200007045	1	Foam filter	泡沫过滤器		
406	5200007040	1	Air box base	气箱底座		
407	0164397	2	Air box filter clip	气箱过滤器夹		



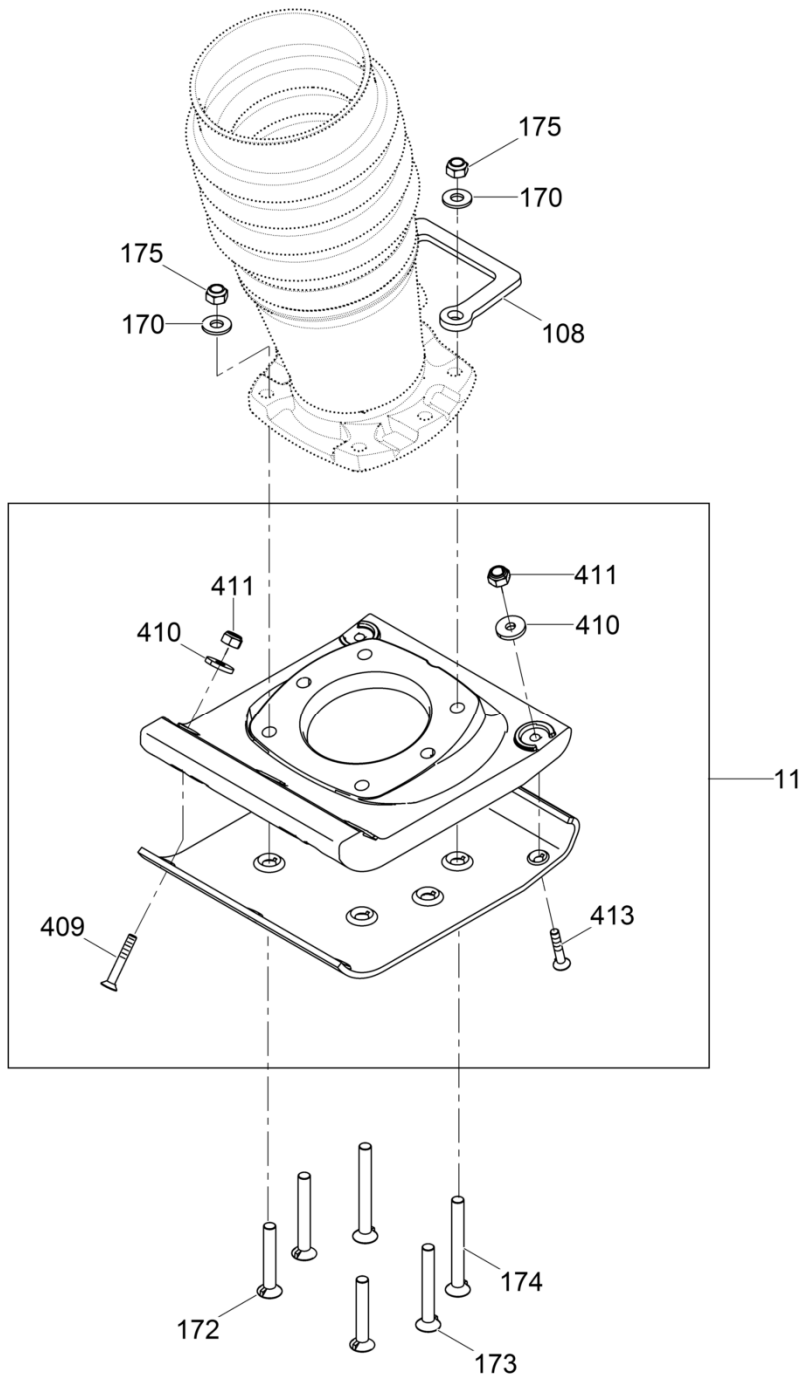
200\_5200000663100003

Ref. 参考号	Part No. 零件编号	Qty. 数量	Description 说明		Measuram. 测量	Norm 标准
						Sealant 密封材料
2	5200003538	1	Crankcase	曲轴箱		
3	5200002906	1	Cover	护盖		
16	2003021	2	Grooved ball bearing	球轴承		
26	0111476	1	Crank gear	曲轴齿轮	64T/27,5	
27	0110232	1	Clutch drum	离合器鼓		
29	0089591	1	Connecting rod compl.	连接杆套装		
30	0039020	1	Needle bearing	滚针轴承		
31	0072061	1	Needle bearing	滚针轴承		
32	0045190	1	Grooved ball bearing	球轴承		
43	0039026	1	O-Ring	O型垫圈	174 x 3	
44	0039050	1	Shaft seal	轴密封圈		
67	2001041	1	Retaining ring	长簧	25 x 1,2	DIN471
69	2003022	2	Retaining ring	长簧	35 x 1,5	DIN471
70	2003023	2	Retaining ring	长簧	72 x 2,5	DIN472
71	0117567	1	Pin	销	M8 x 20	ISO8734
83	0011535	4	Cheese head screw	内六角螺丝	M10 x 25 49Nm/36ft.lbs	ISO4762
308	2001829	1	Retaining ring	长簧	10 x 1	DIN471
309	0119627	1	Worm gear	蜗轮		



200\_5200000663100004

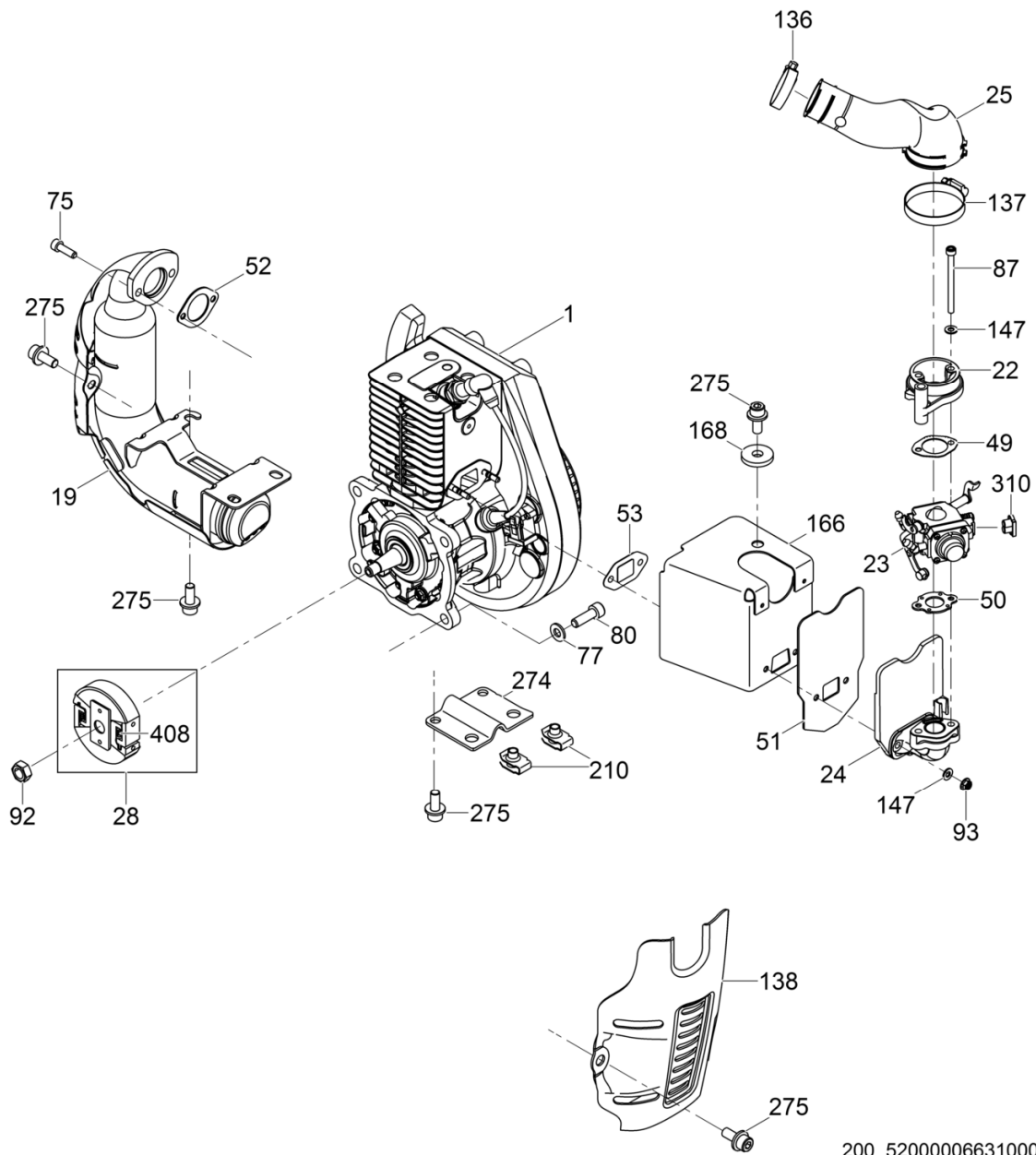
Ref. 参考号	Part No. 零件编号	Qty. 数量	Description 说明		Measuram. 测量	Norm 标准
						Sealant 密封材料
4	0177356	1	Bellows	波纹管		
5	0039800	1	Protective pipe	防护管	24Nm/18ft.lbs	
6	0088842	1	Guide cylinder	导向筒		
7	0114844	1	Spring cover	弹簧盖		
8	0110350	1	Ram	锤体		
9	0113843	2	Spring Set	弹簧组		
10	0111702	1	Spring cylinder	弹簧筒		
34	0011050	1	Plug (threaded)	塞子 (带螺纹)	M16 x 1,5 55Nm/41ft.lbs	DIN908
36	1006925	2	Push-in plug	推压塞		
37	0039785	1	Piston pin	活塞销		
38	0013971	1	Sight Glass	监视孔	10Nm/7ft.lbs	
39	0039795	1	Piston guide	活塞导环		
40	0034442	1	Bushing	衬圈		
41	0034601	1	Bushing	衬圈		
47	0039757	1	Gasket	衬垫		
48	0043204	1	Gasket	衬垫		
61	0012082	1	Gasket	衬垫	A16 x 20	DIN7603
73	0165078	2	Hose clamp	软管夹子		
78	0011533	4	Cheese head screw	内六角螺丝	M10 x 35 44Nm/32ft.lbs	ISO4762
84	0011543	14	Cheese head screw	内六角螺丝	M8 x 20 25Nm/18ft.lbs	ISO4762
95	0083814	1	Locknut	止动螺母	M22 x 1,5 250Nm/184ft.lbs	
98	0010644	4	Lock washer	止动垫圈	A10	DIN128
101	0012397	7	Lock washer	止动垫圈	A8	DIN127
145	0031880	1	O-Ring	O型垫圈	96 x 3	



200\_5200000663100005

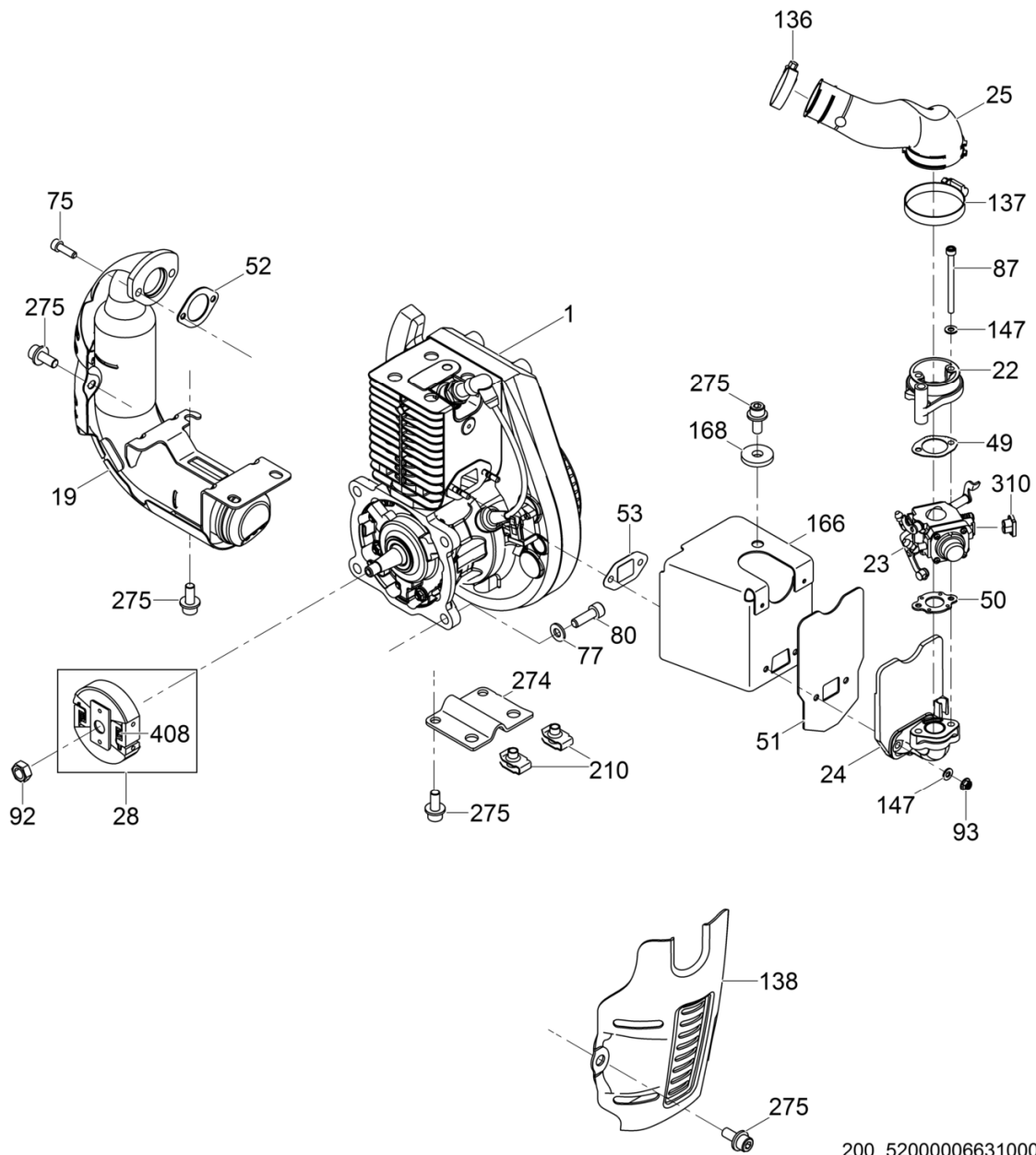


Ref. 参考号	Part No. 零件编号	Qty. 数量	Description 说明		Measuram. 测量	Norm 标准
						Sealant 密封材料
11	0118106	1	Ramming Shoe Kit	冲击底板套件	280mm/11in	
108	0153427	1	Lifting handle	起重手柄		
170	0031565	6	Lockwasher	止动垫圈	12	DIN6796
172	0011157	2	Countersunk bolt	防松螺栓	M12 x 80 86Nm/63ft.lbs	DIN604
173	0153298	2	Plow bolt	防松螺栓	M12 x 95	DIN604
174	0012983	2	Countersunk bolt	防松螺栓	M12 x 110 86Nm/63ft.lbs	DIN604
175	0010366	6	Hexagon nut	六角螺母	M12	DIN985
409	0011191	3	Countersunk bolt	防松螺栓	M8 x 55 25Nm/18ft.lbs	DIN604
409	0011193	3	Countersunk bolt	防松螺栓	M8 x 45 25Nm/18ft.lbs	DIN604
410	1005118	6	Flat steel washer	扁钢垫圈		
411	0010367	6	Hexagon nut	六角螺母	M8 79Nm/58ft.lbs	DIN985



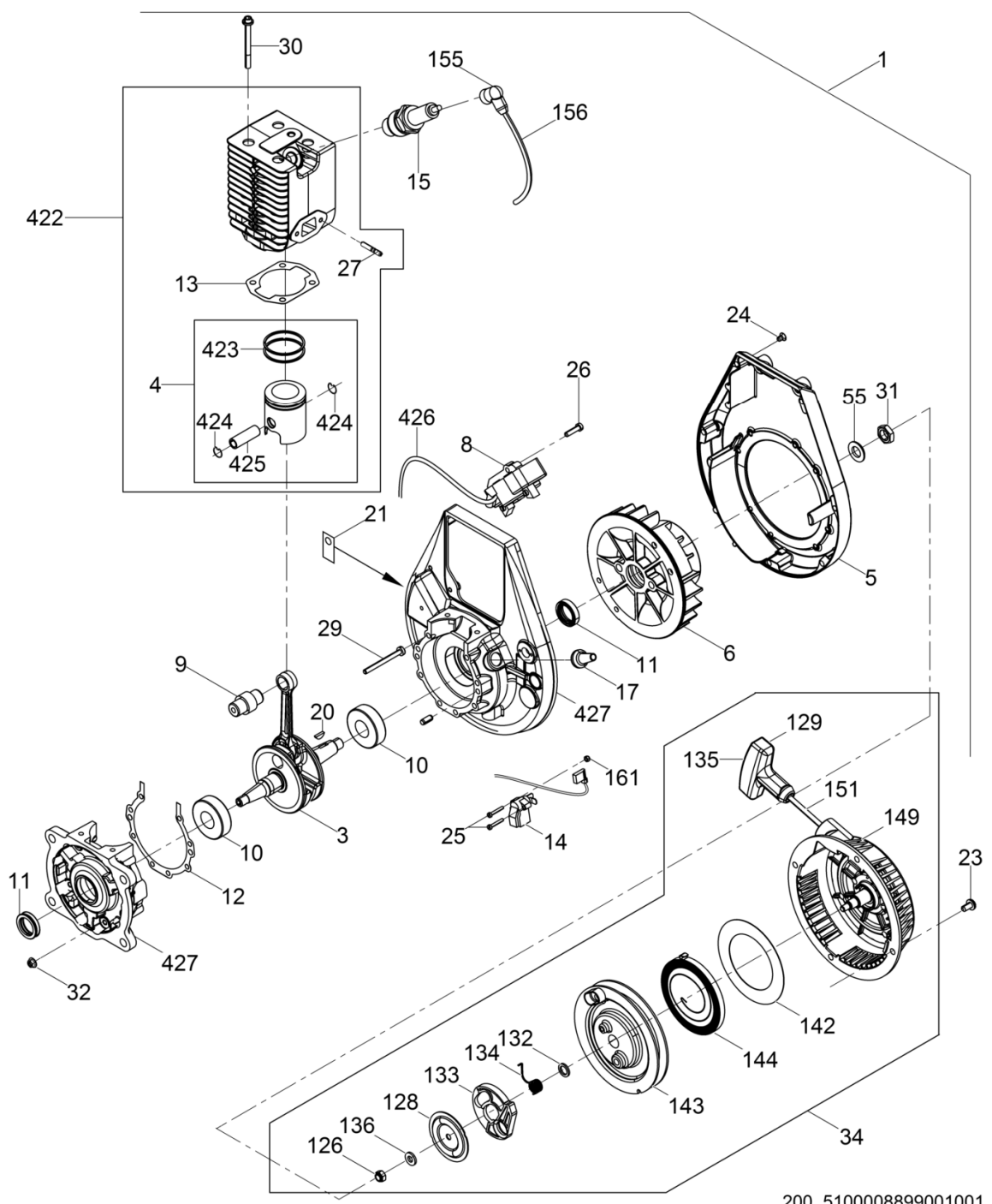
200\_5200000663100006

Ref. 参考号	Part No. 零件编号	Qty. 数量	Description 说明		Measuram. 测量	Norm 标准
						Sealant 密封材料
1	5100009685	1	WM 80 Engine	WM 80 发动机		
19	0180082	1	Muffler	消音器		
22	0180920	1	Adapter	分接插头		
23	0183842	1	Walbro carburetor	华博罗化油器	12,70mm	
24	0180100	1	Carburetor adapter	化油器接头		
25	5200002801	1	Air tube	通气管		
28	0157205	1	Centrifugal clutch	离心离合器	80mm	
49	0084669	1	Gasket	衬垫		
50	0183153	1	Gasket	衬垫		
51	5200001772	1	Carburetor gasket	化油器衬垫		
52	0175329	1	Gasket	衬垫		
53	0114575	1	Gasket	衬垫		
75	0112202	2	Cheese head screw	内六角螺丝	M6 x 20 18Nm/13ft.lbs	ISO4762
77	0172326	3	Flat washer	平垫圈	8.4	
80	0011542	3	Cheese head screw	内六角螺丝	M8 x 25 28Nm/21ft.lbs	ISO4762
87	0181790	2	Socket head cap screw	内六角螺丝	M5 x 65 5Nm/4ft.lbs	
92	0010883	1	Hexagon nut	六角螺母	M10 34Nm/25ft.lbs	DIN934
93	0183750	2	Hexagon nut	六角螺母	M5 7Nm/5ft.lbs	
109	0033198	6	Lockwasher	止动垫圈	8	DIN6796
136	0078844	1	Clamp	夹紧装置	32-50	
137	0089701	1	Clamp	夹紧装置	20-45	
138	0181846	1	Guard	护罩		
147	0103211	4	Lockwasher	止动垫圈	5	DIN6796
166	0192874	1	Heatshield	隔热罩		
168	1005118	1	Flat steel washer	扁钢垫圈		



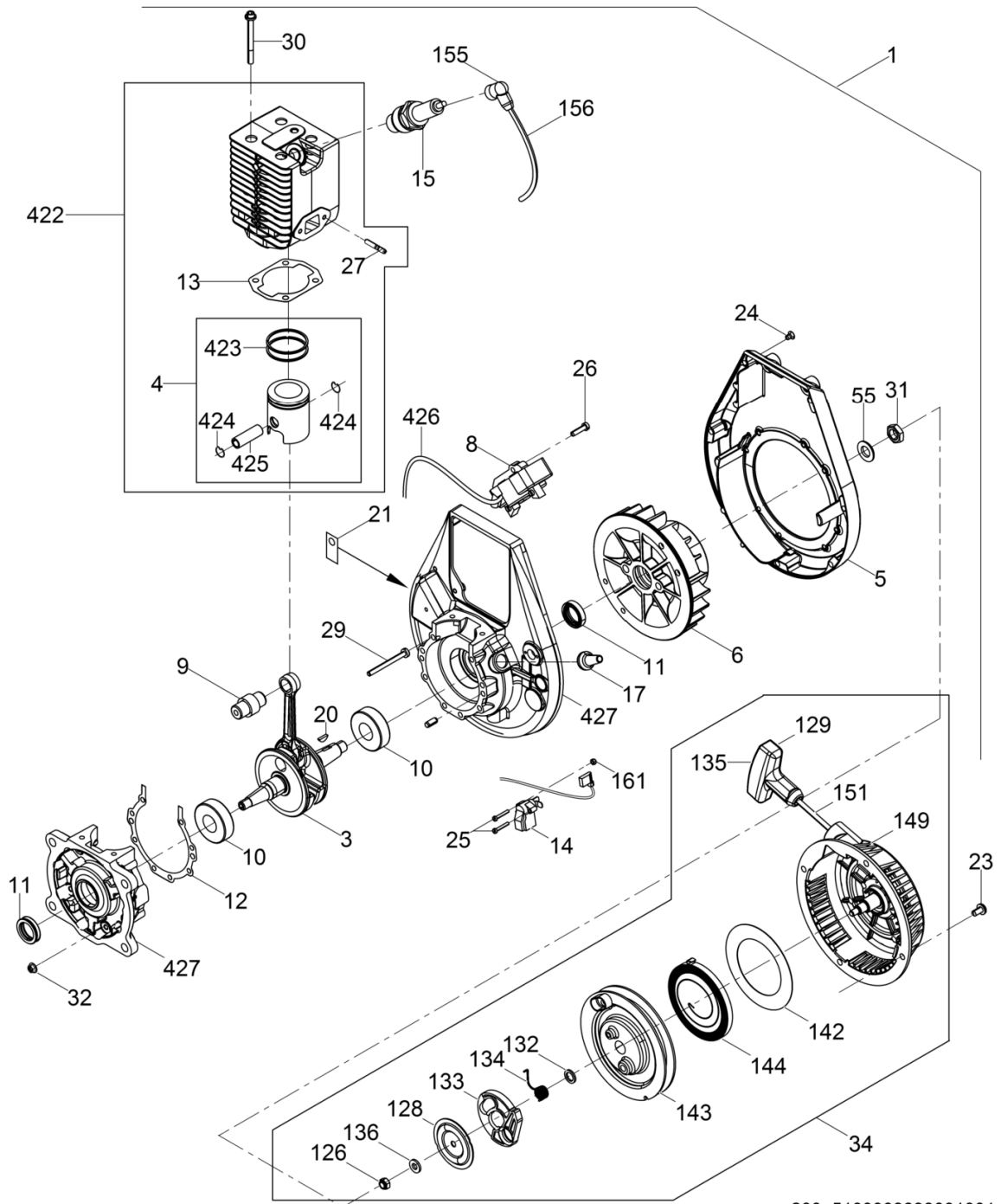
200\_5200000663100006

Ref. 参考号	Part No. 零件编号	Qty. 数量	Description 说明		Measurem. 测量	Norm 标准
						Sealant 密封材料
210	0110969	2	Clip nut	止动螺母	M8	
221	0156954	1	Hose clamp	软管夹子	1/4in	
274	0175330	1	Muffler bracket	消音器托架		
275	0011543	6	Cheese head screw	内六角螺丝	M8 x 20 23Nm/17ft.lbs	ISO4762
310	5200007836	1	Plug	塞子		
408	0172983	2	Spring	弹簧		



200\_5100008899001001

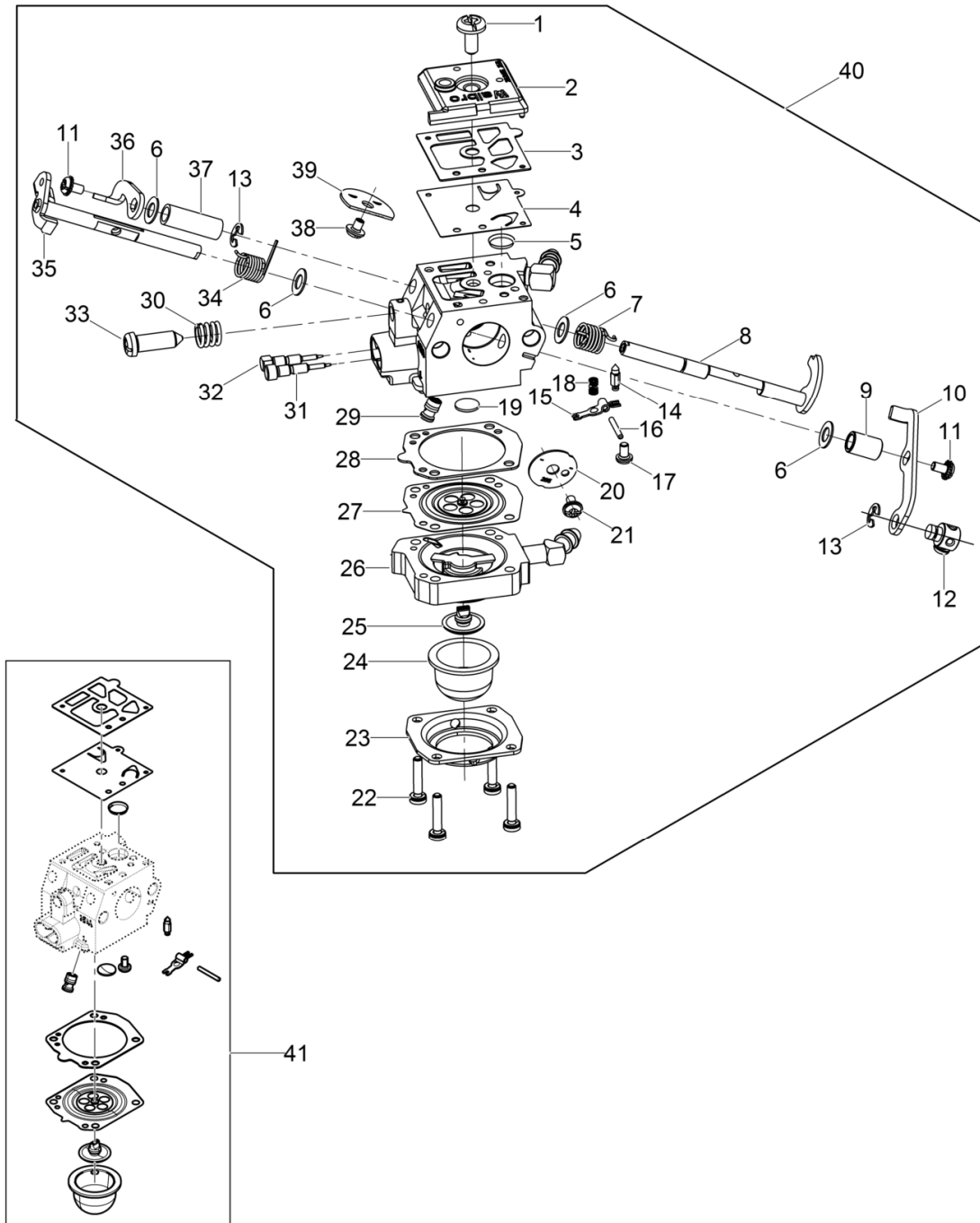
Ref. 参考号	Part No. 零件编号	Qty. 数量	Description 说明		Measuram. 测量	Norm 标准
						Sealant 密封材料
1	5100009685	1	WM 80 Engine	WM 80 发动机		
3	0045036	1	Crankshaft	曲轴		
4	0045908	1	Piston cpl.	活塞套装		
5	0045037	1	Cover	护盖		
6	0045041	1	Fan	风扇		
8	0188217	1	Ignition Unit Module Kit	点火装置模块套件		
9	0034835	1	Needle bearing	滚针轴承		
10	2001645	2	Grooved ball bearing	带槽球轴承		
11	0154699	2	Shaft seal	轴密封圈	20 x 30 x 7	
12	5200011237	1	Crankcase gasket	曲轴箱衬垫	0,25	
13	5200011236	1	Cylinder head gasket	气缸头衬垫	0,25	
14	0080502	1	Terminal post	接线柱		
15	5200006925	1	Spark plug	火花塞		
17	5200003079	1	Cable guide	电缆导管		
20	0010388	1	Woodruff key	半圆键	3 x 5	DIN6888
21	5000045906	2	Retainer	固位架		
23	0153273	4	Pan head screw	盘头螺钉	M6 x 12	DIN85
24	0153272	7	Screw	椭圆头螺钉	M5 x 25	DIN964
25	0011730	2	Cheese head screw	凸圆头螺丝	M3 x 20	ISO1207
26	0153271	3	Cheese head screw	凸圆头螺丝	M5 x 20	DIN84
27	0013499	2	Stud bolt	螺栓	M5 x 20	DIN835
29	0215365	8	Cheese head screw	内梅花头螺丝	M 5x 60	
30	0095917	4	Cheese head screw	内六角螺丝	M6 x 60	
31	0045914	1	Hexagon nut	六角螺母	M12 x 1,5	ISO8675
32	0183750	8	Hexagon nut	六角螺母	M5	



200\_5100008899001001

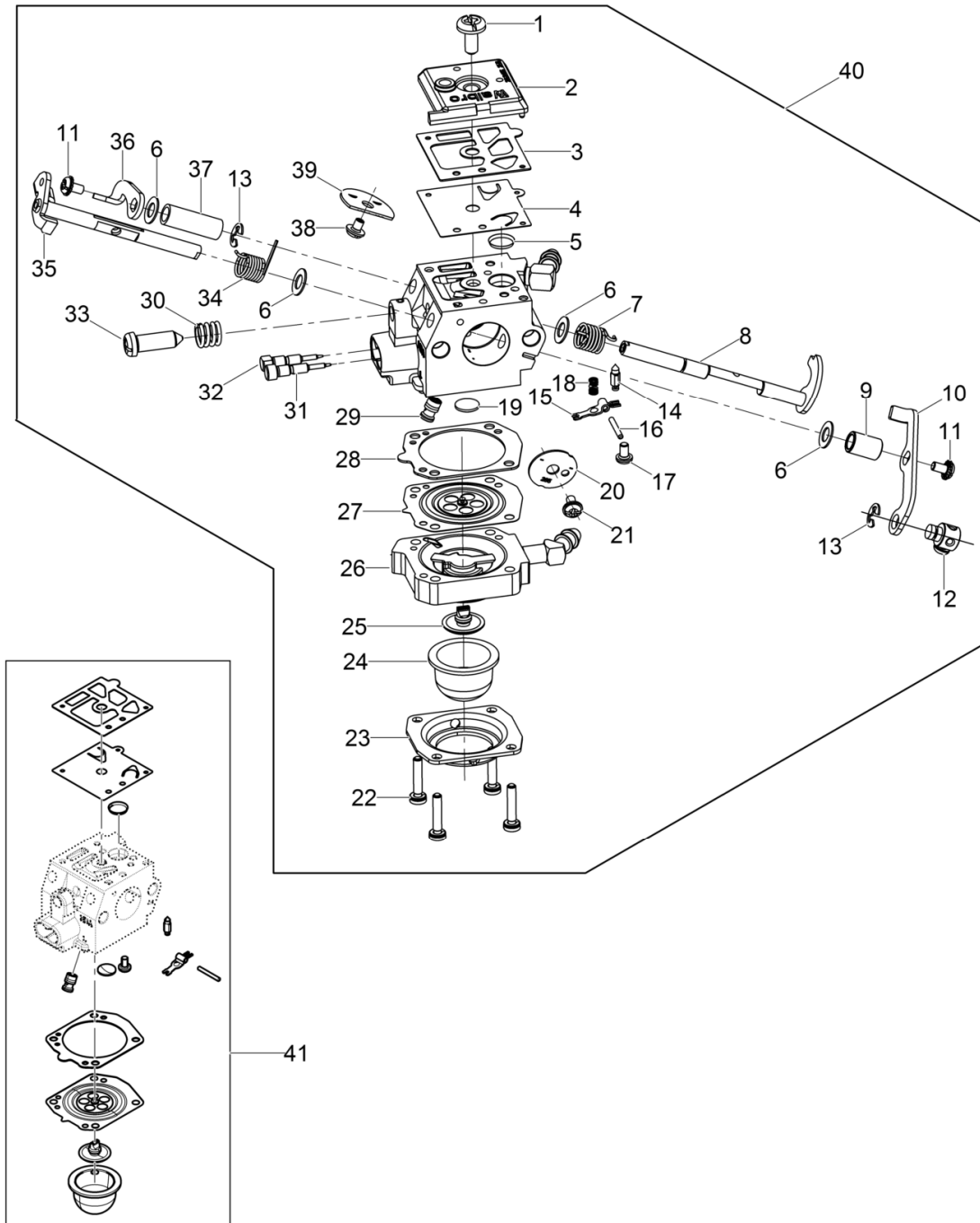


Ref. 参考号	Part No. 零件编号	Qty. 数量	Description 说明		Measurem. 测量	Norm 标准
						Sealant 密封材料
34	0046098	1	Rewind starter	反绕起动机		
55	0010620	1	Flat washer	平垫圈	12	ISO7090
126	0058553	1	Hexagon nut	止动螺母	M6	DIN980
128	0047997	1	Cover	护盖		
129	0059890	1	Starter handle	起动机手柄		
132	0048062	1	Washer	垫圈		
133	0047998	1	Ratchet (pawl)	棘轮 ( 掣爪 )		
134	0048059	1	Spring	弹簧		
135	5000059891	1	Retainer	固位架		
136	0058381	1	Lockwasher	止动垫圈	6	DIN6796
141	5000064294	1	Rivet	铆钉		
142	0065068	1	Check disc	耐磨板		
143	0048060	1	Starter pulley	起动机滑轮		
144	0048061	1	Spring	弹簧		
149	0048063	1	Starter housing	起动机机壳		
151	0104548	1	Rope	绳索		
155	0153125	1	Spark plug (terminal) cap	火花塞 ( 端 ) 帽		
156	0076521	1	Ignition cable	点火电缆		
161	0086710	1	Lock nut	止动螺母	M3	DIN985
422	0176400	1	Cylinder with piston	活塞套装气缸		
423	0045904	1	Piston ring	活塞环	45 x 1,5	DIN70910
424	0012257	2	Retaining ring	长簧	A12	DIN73123
425	0012199	1	Piston pin	活塞销		
426	0047348	1	Sleeve	套筒		
427	5100009982	1	Crankcase cpl.	曲轴箱套装		



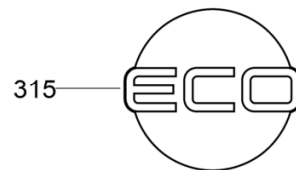
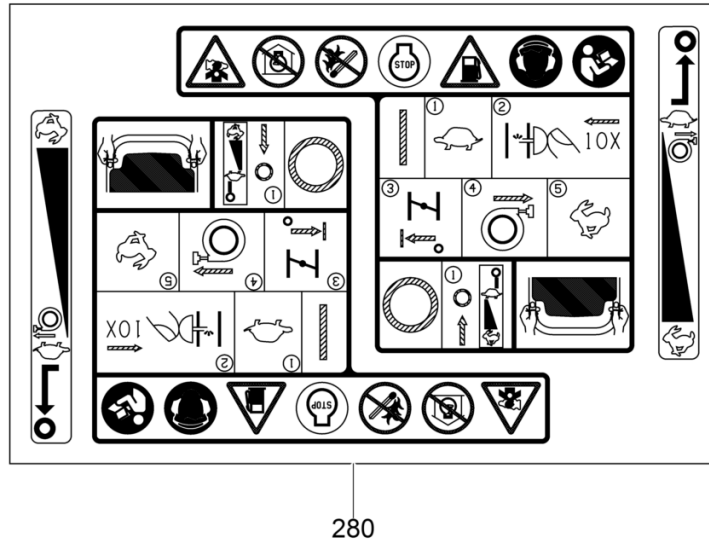
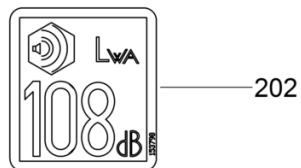
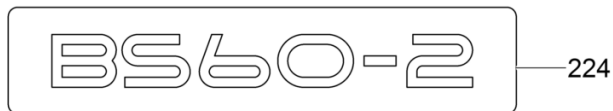
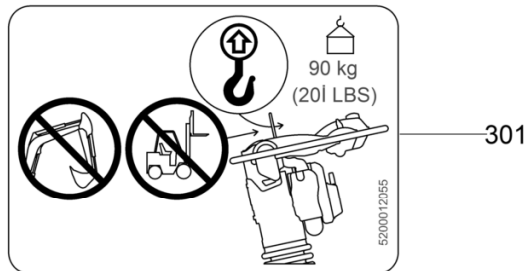
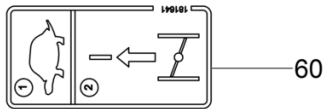
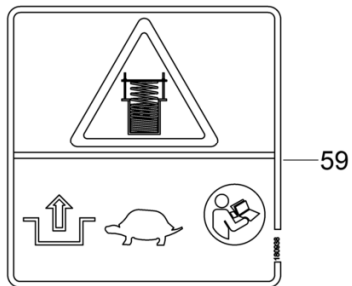
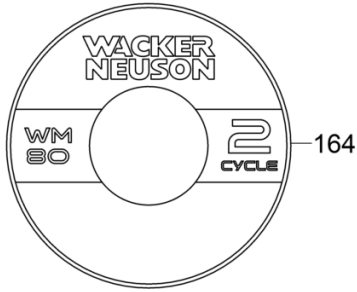
200\_5000183842001001

Ref. 参考号	Part No. 零件编号	Qty. 数量	Description 说明		Measuram. 测量	Norm 标准
					Norm 标准	Sealant 密封材料
1	0182757	1	Pan head screw	盘头螺钉		
2	0182758	1	Cover	护盖		
3	0182759	1	Gasket	衬垫		
4	0182760	1	Diaphragm cpl.	隔膜套装		
5	0182761	1	Screen	滤网		
6	0175300	4	Washer	垫圈		
7	0182762	1	Spring	弹簧		
8	0182763	1	Choke shaft	阻气门轴		
9	0182764	1	Spacer	间隔装置		
10	0182765	1	Throttle lever	节流杆		
11	0182766	2	Screw	螺丝		
12	0183351	1	Swivel	转环		
13	0182768	2	Retaining ring	长簧		
14	0182769	1	Inlet valve	进气阀		
15	0182770	1	Lever	杆		
16	0182771	1	Pin	销		
17	0222015	1	Screw	螺丝		
18	0175306	1	Spring	弹簧		
19	0182772	1	Plug	塞子		
20	0183356	1	Throttle valve	节流阀		
21	0175305	1	Screw	螺丝		
22	0175307	4	Screw	螺丝		
23	0182773	1	Cover	护盖		
24	0182774	1	Bulb	球头		
25	0180019	1	Valve	阀		



200\_5000183842001001

Ref. 参考号	Part No. 零件编号	Qty. 数量	Description 说明		Measuram. 测量	Norm 标准
						Sealant 密封材料
26	0182775	1	Air purge cpl.	空气清洗器套装		
27	0182776	1	Diaphragm cpl.	隔膜套装		
28	0182777	1	Gasket	衬垫		
29	0182784	1	Nozzle	喷嘴		
30	0182778	1	Spring	弹簧		
31	0175319	1	Needle	针		
32	0182779	1	Needle valve	针阀		
33	0175310	1	Idle speed screw	怠速螺钉		
34	0182780	1	Spring	弹簧		
35	0182781	1	Throttle shaft cpl.	节流轴套装		
36	0182782	1	Choke lever	阻气门杆		
37	0182783	1	Sleeve	套筒		
38	0175315	1	Screw	螺丝		
39	0175316	1	Choke valve	阻气门阀		
40	0183842	1	Walbro carburetor	华博罗化油器	12,70mm	
41	0171010	1	Carburetor Repair Kit	化油器修理包		



200\_5200000663101010

Ref. 参考号	Part No. 零件编号	Qty. 数量	Description 说明		Measuram. 测量	Norm 标准
						Sealant 密封材料
59	0180938	1	Label-compressed spring	标签-压缩弹簧		
60	0181641	1	Label-choke	标签-阻风门		
164	5200015661	1	Label-recoil WM80	标签 - 反冲 WM80		
202	0153798	1	Label-sound power	标签-声功率		
224	5200011926	2	Label-BS 60-2	标签 - BS 60-2		
280	5200000315	1	Label-choke	标签-阻风门		
301	5200012055	1	Label-lifting	标签 - 提升点		
315	5200017613	1	Label-ECO			



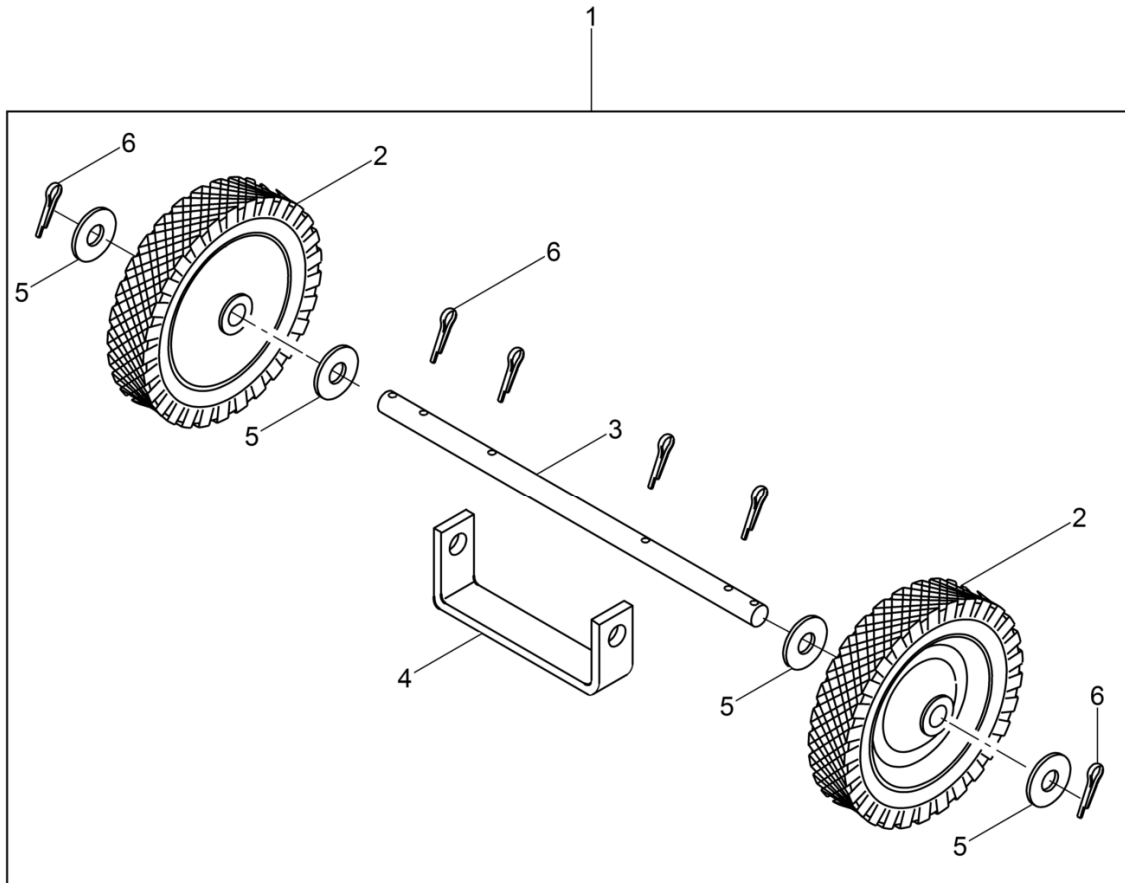




**WACKER  
NEUSON**

**Accessories  
附件**

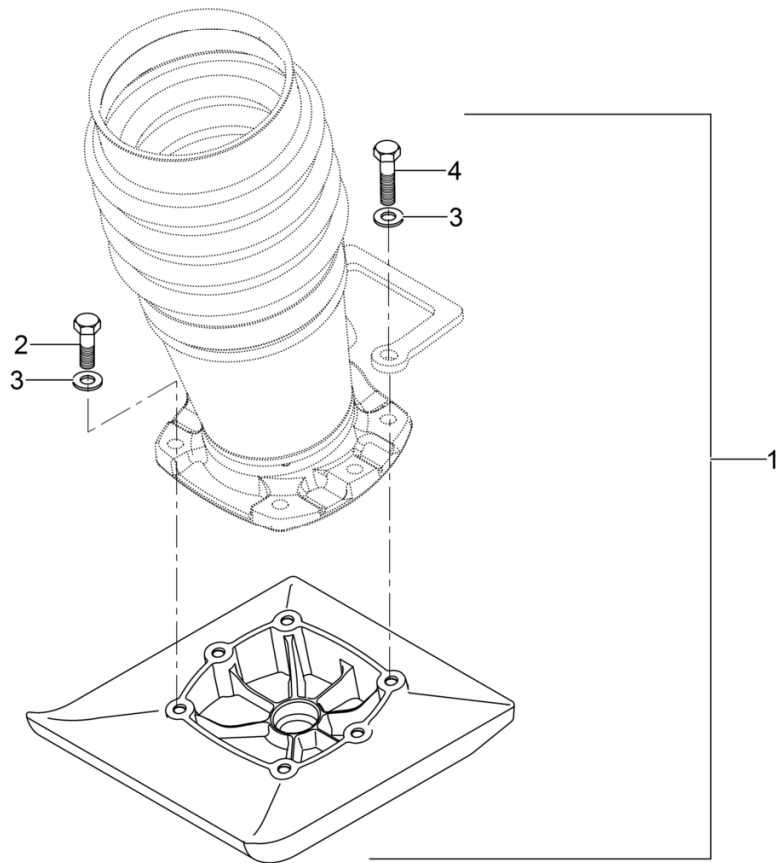
[www.wackerneuson.com](http://www.wackerneuson.com)



200\_5000086264001001

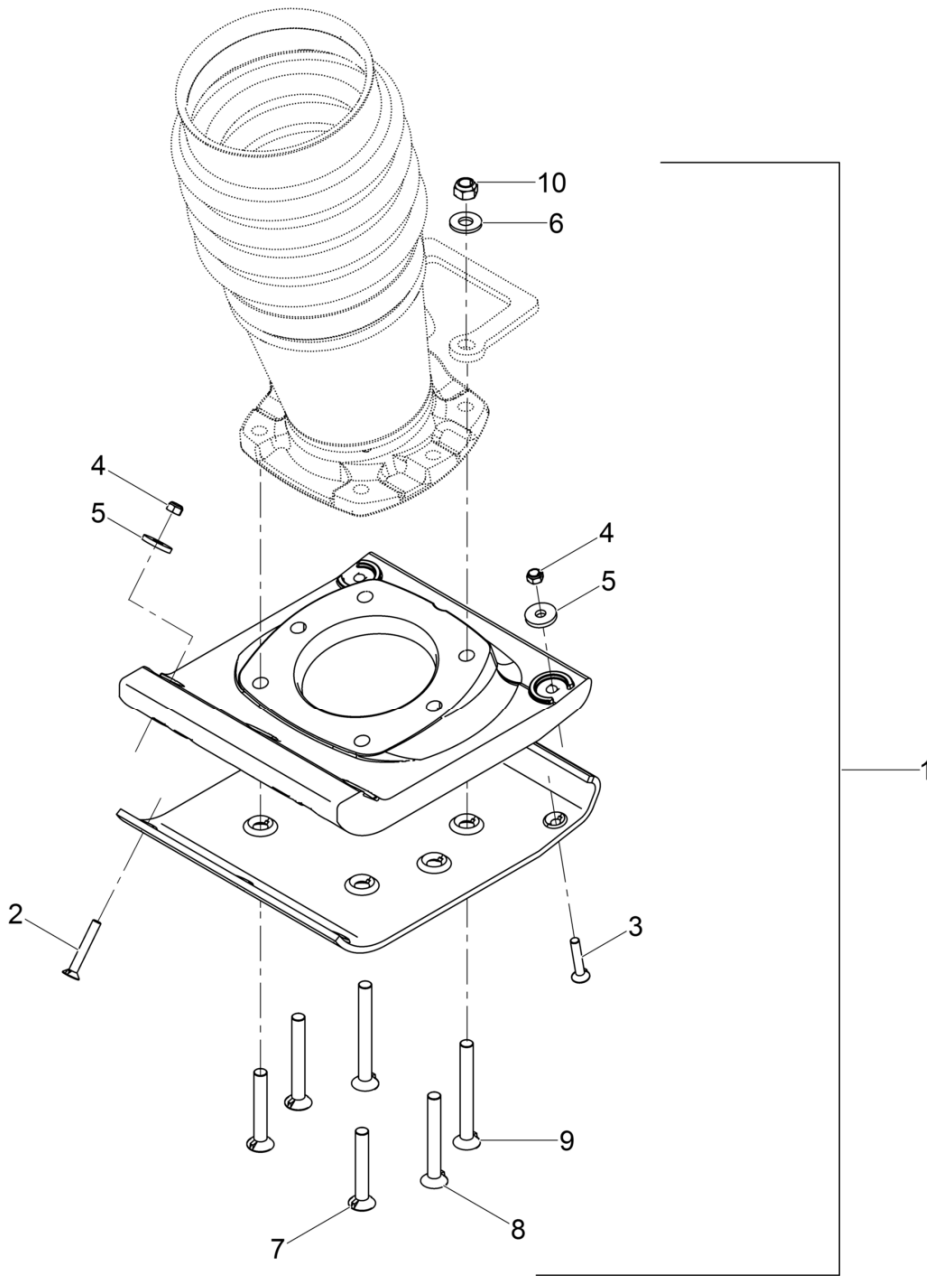
Ref. 参考号	Part No. 零件编号	Qty. 数量	Description 说明		Measurem. 测量	Norm 标准
						Sealant 密封材料
1	0086264	1	Wheel Kit	轮子组件		
2	0086043	2	Wheel	轮胎	10,5 x 3,5	
3	0086262	1	Axle	轴		
4	0086263	1	Plate	板		
5	0010618	4	Flat washer	平垫圈	16	ISO7090
6	0010499	6	Split	开口销	3,2 x 25	ISO1234

┌



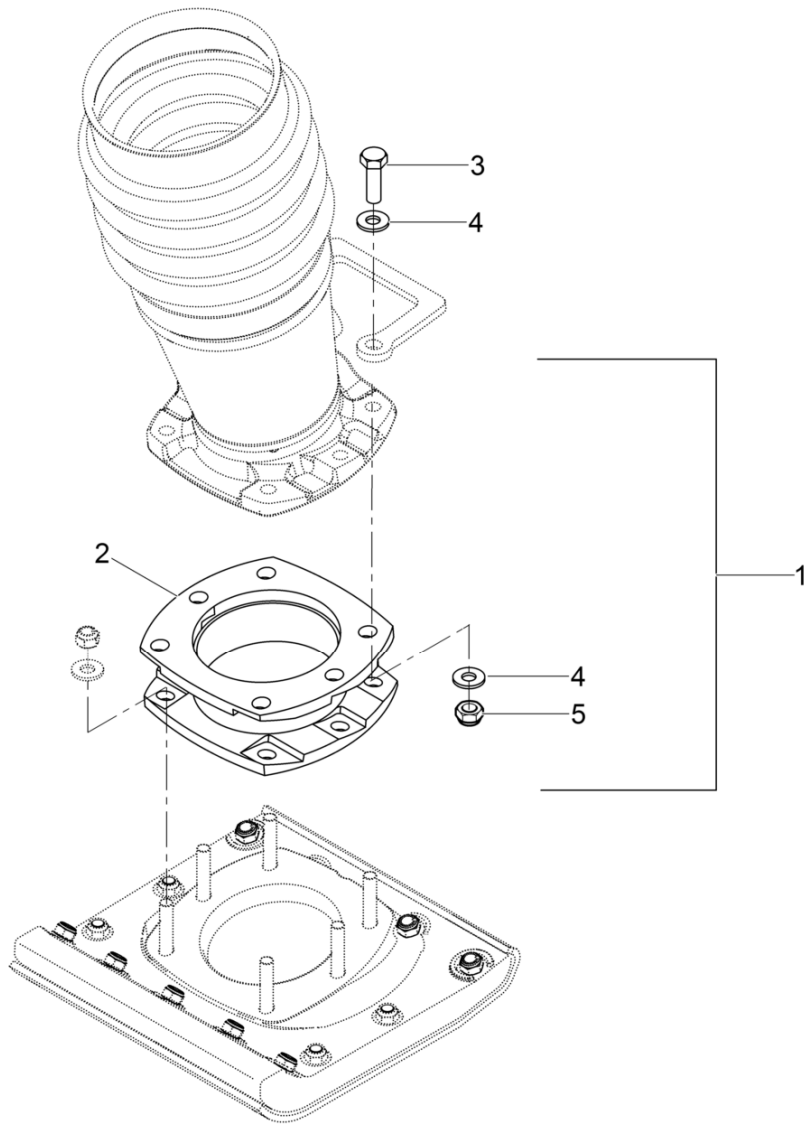
200\_5000112299001001

Ref. 参考号	Part No. 零件编号	Qty. 数量	Description 说明		Measurem. 测量	Norm 标准
					Norm 标准	Sealant 密封材料
1	0112299	1	Kit-ramming shoe	冲击底板套件	280mm/11in	
2	0011421	4	Hexagonal head cap screw	六角螺钉	M12 x 40 63Nm/46ft.lbs	DIN933
3	0031565	6	Lockwasher	止动垫圈	12	DIN6796
4	0011301	2	Hexagonal head cap screw	六角螺钉	M12 x 50 86Nm/63ft.lbs	DIN931



200\_5000118106001001

Ref. 参考号	Part No. 零件编号	Qty. 数量	Description 说明		Measurem. 测量	Norm 标准
					Norm 标准	Sealant 密封材料
1	0118106	1	Ramming Shoe Kit	冲击底板套件	280mm/11in	
2	0011191	3	Countersunk bolt	防松螺栓	M8 x 55 25Nm/18ft.lbs	DIN604
3	0011193	3	Countersunk bolt	防松螺栓	M8 x 45 25Nm/18ft.lbs	DIN604
4	0010367	6	Hexagon nut	六角螺母	M8 24Nm/18ft.lbs	DIN985
5	1005118	6	Flat steel washer	扁钢垫圈		
6	0031565	6	Lockwasher	止动垫圈	12	DIN6796
7	0011157	2	Countersunk bolt	防松螺栓	M12 x 80 86Nm/63ft.lbs	DIN604
8	0153298	2	Plow bolt	防松螺栓	M12 x 95	DIN604
9	0012983	2	Countersunk bolt	防松螺栓	M12 x 110 86Nm/63ft.lbs	DIN604
10	0010366	6	Hexagon nut	六角螺母	M12 79Nm/58ft.lbs	DIN985



200\_5200021404001001



Ref. 参考号	Part No. 零件编号	Qty. 数量	Description 说明		Measurem. 测量	Norm 标准
						Sealant 密封材料
1	5200021404	1	Ramming Shoe Extension Kit	冲击夯底板延伸套件		
2	5200020590	1	Shoe extension	底板延伸件		
3	0011301	6	Hexagonal head cap screw	六角螺钉	M12 x 50 86Nm/63ft.lbs	DIN931
4	0031565	12	Lockwasher	止动垫圈	12	DIN6796
5	0010884	6	Hexagon nut	六角螺母	M12	DIN934



**WACKER  
NEUSON**

Wacker Neuson SE - Preußenstraße 41 - 80809 München - Tel.: +49-(0)89-35402-0 - Fax: +49-(0)89-35402-390  
Wacker Neuson Corporation - P. O. Box 9007 - Menomonee Falls, WI 53052-9007 - Tel.: (262)-255-0500 - Fax: (262)-255-0550  
Wacker Neuson Ltd. - Tower 1, Grand Century Place - 193 Prince Edward Road West - Mongkok, Kowloon - Hong Kong, VR China - Tel: +852-3605 5360, Fax: +852-2406 6021